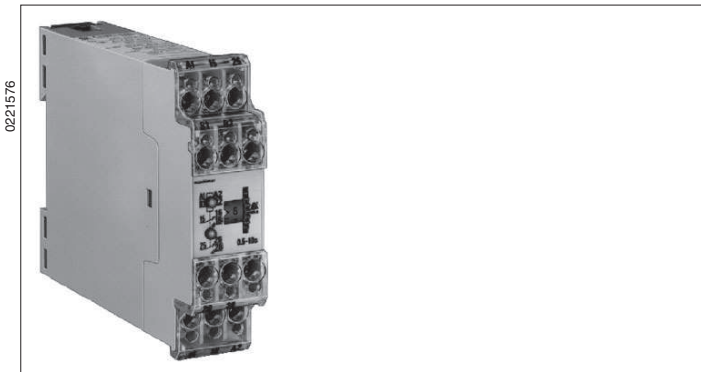
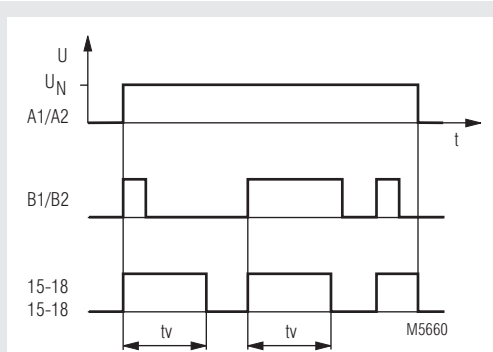


## MINITIMER Pulse Extender MK 7856/024



- According to IEC/EN 61 812-1
- Converts pulses to selectable length
- No repeat control during the time period (of the pulse)
- Pulse lengthening / shortening
- Time range up to 60 min
- Repeat accuracy  $\leq \pm 1 \%$
- Setting on absolute scale
- 2-voltage version
- LED displays for availability and contact position
- Available with 1 or 2 changeover contacts
- Width 22.5 mm

### Function Diagram



### Approvals and Marking



### Application

Time-dependent controllers

### Technical Data

#### Time circuit

#### Time ranges:

0.05 ... 1 s	0.5 ... 10 min.
0.15 ... 3 s	1.5 ... 30 min.
0.5 ... 10 s	3 ... 60 min.
1.5 ... 30 s	
3 ... 60 s	
5 ... 100 s	
15 ... 300 s	

#### Time setting:

Min. switch-on time:

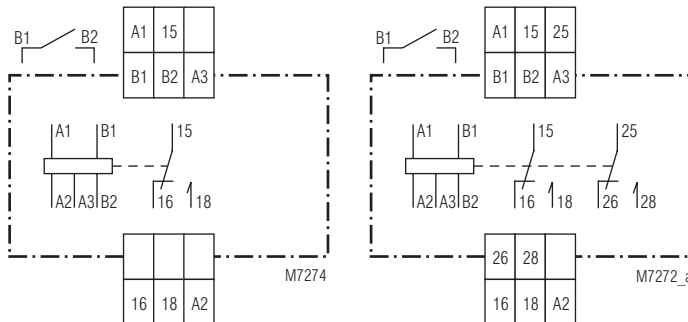
Repeat accuracy:

Voltage influence:

Temperature influence:

stepless  
 $\geq 20$  ms  
 $\leq \pm 1 \%$  of full-scale value  
 $\leq 1 \%$   
 $< 0.1 \%$  / K

### Circuit Diagram



MK 7856.71/024

MK 7856.72/024

### Input

#### Nominal voltage $U_N$ :

AC/DC 24<sup>1)</sup> + AC/DC 42 V<sup>2)</sup>  
 AC/DC 24<sup>1)</sup> + AC/DC 48 V<sup>2)</sup>  
 AC/DC 24<sup>1)</sup> + AC 110 V<sup>2)</sup>  
 AC/DC 24<sup>1)</sup> + AC 127 V<sup>2)</sup>  
 AC/DC 24<sup>1)</sup> + AC 230 V<sup>2)</sup>  
 AC/DC 24<sup>1)</sup> + AC 240 V<sup>2)</sup>

<sup>1)</sup> at terminals A3 - A2

<sup>2)</sup> at terminals A1 - A2

#### Voltage range:

#### Nominal consumption:

0.8 ... 1.1  $U_N$   
 AC 230 V 7 VA  
 DC 24 V 0.8 W

#### Nominal frequency:

#### Frequency range:

50 / 60 Hz  
 $\pm 5 \%$   $f_N$

## Technical Data

### Output

### Contacts

MK 7856.71: 1 changeover contact  
MK 7856.72: 2 changeover contacts

**Thermal current  $I_{th}$ :** 5 A

### Switching capacity

to AC 15:

NO contact: 3 A / AC 230 V IEC/EN 60 947-5-1

NC contact: 2 A / AC 230 V IEC/EN 60 947-5-1

**Electrical life** IEC/EN 60 947-5-1

to AC 15 at 3 A, AC 230 V: 5 x 10<sup>5</sup> switching cycles

### Permissible switching

**frequency:** 6 000 switching cycles / h

### Short circuit strength

**max. fuse rating:** 6 A gL IEC/EN 60 947-5-1

**Mechanical life:** 30 x 10<sup>6</sup> switching cycles

## General Data

**Operating mode:** Continuous operation

**Temperature range:** - 20 ... + 60 °C

### Clearance and creepage distances

rated impuls voltage /  
pollution degree: 4 kV / 2 IEC 60 664-1

### EMC

Electrostatic discharge: 8 kV (air) IEC/EN 61 000-4-2

HF irradiation: 10 V/m IEC/EN 61 000-4-3

Fast transients: 2 kV IEC/EN 61 000-4-4

Surge voltages

between

wires for power supply: 2 kV IEC/EN 61 000-4-5

between wire and ground: 4 kV IEC/EN 61 000-4-5

HF-wire guided: 10 V IEC/EN 61 000-4-6

Interference suppression: Limit value class B EN 55 011

### Degree of protection

Housing: IP 40 IEC/EN 60 529

Terminals: IP 20 IEC/EN 60 529

**Housing:** Thermoplastic with V0 behaviour  
according to UL subject 94

**Vibration resistance:** Amplitude 0.35 mm,  
frequency 10 ... 55 Hz, IEC/EN 60 068-2-6

**Climate resistance:** 20 / 060 / 04 IEC/EN 60 068-1

**Terminal designation:** EN 50 005

**Wire connection:** 2 x 1.5 mm<sup>2</sup> solid or  
2 x 1.0 mm<sup>2</sup> stranded wire with sleeve  
DIN 46 228-1/-2/-3/-4

**Wire fixing:** Flat terminals with self-lifting

clamping piece IEC/EN 60 999-1

**Mounting:** DIN rail IEC/EN 60 715

**Weight:** 140 g

## Dimensions

**Width x height x depth:** 22.5 x 82 x 99 mm

## Standard Type

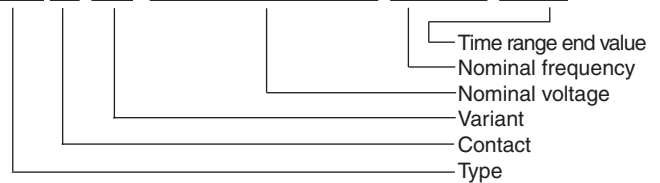
MK 7856.71/024 AC/DC24V + AC220...240V 50/60Hz 3s

Article number: 0030950 stock item

- Output: 1 changeover contact
- Nominal voltage  $U_N$ : AC/DC 24 V + AC 220 ... 240 V
- Time range: 0.15 ... 3 s
- Width: 22.5 mm

## Ordering example

MK 7856 .71 /024 AC/DC 24 V + AC 230 V 50 / 60 Hz 60 min.



## Accessories

ET 4752-143: Marking plate